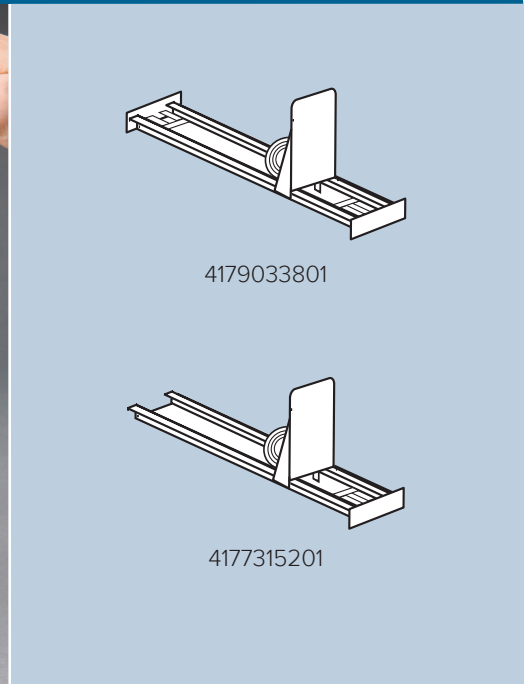


# Power Zone® Trak-Set™ Self-facing System



(Note: Does not include acrylic display.)



## Features and Benefits

- ◆ Keeps products up front and always visible to shoppers, increasing sales
- ◆ Hands-free facing with automatically advanced product reduces in-store labor costs
- ◆ Designed to self-face a variety of package styles and sizes, including bagged and boxed product, as well as wide and heavier product
- ◆ Fits a variety of shelf depths: available for 12", 14" and 16" deep shelves; custom sizes can be Made To Order
- ◆ Use with clear Front Fence (sold separately, call for details), or on displays with existing lip or fence
- ◆ Can be attached with adhesive or fasteners, sold separately
- ◆ Tracks are white high-impact plastic
- ◆ Springs are stainless steel, variable force

## Add pushers to any flat surface or display

Power Zone® Trak-Set™ Self-facing System combines the power of self-facing with the versatility of single track placement for product displays and non-perforated shelving.

Trak-Set™ single pusher tracks are designed to be placed on any flat surface to provide the proven sales lift and loss prevention benefits of self-facing systems.

## Specifications

Item No.	Ref. No.	Style	Dim.	Pack
4179033801	RDP-112	Track w/ Rear Adapter	12" D	1
4179033802	RDP-114	Track w/ Rear Adapter	14" D	1
4179033803	RDP-116	Track w/ Rear Adapter	16" D	1
4177315201	-	Track w/o Rear Adapter	12" D	1
4177315202	-	Track w/o Rear Adapter	14" D	1
4177315203	-	Track w/o Rear Adapter	16" D	1

Additional sizes and colors can be made to order (minimum quantities apply.)

20190315

For more information,  
call **800.422.2547**  
or visit **www.siffron.com**

**siffron**™  
always on